

**VALVOLE A FARFALLA LUG&WAFER
SEDE MORBIDA MOD. BLKI**

***LUG&WAFER BUTTERFLY VALVE
SOFT SEAT MOD. BLKI***

BVPD - Wafer BLPD - Lug | **BVKI - Wafer BLKI - Lug** | **BFKI - doppia flangia**
 DN 80 - 600 • 3" - 24" | DN 40 - 800 • 1 1/2" - 32" | DN 80 - 600 • 3" - 24"

Massima pressione d'esercizio:
 BVPD/BLPD DN 80÷600: **6 Bar**
Flangiatura: PN 6-10-16 • A150
 BVKI/BLKI DN 40÷500: **16 Bar**
Flangiatura: PN 10-16 • A150
 BVKI/BLKI DN 600÷800: **10 Bar**
Flangiatura: PN 6-10-16 • A150
 BFKI DN 80÷600: **16 Bar**
Flangiatura: PN 6-10-16 • A150
Serie KI idonea anche per vuoto
Design:
 EN 593 ~ EN 736 ~ EN 12516 ~ EN 1092
 ISO 5211 ~ DIN 3337 ~ API 609
 PED 97/23/EC(cat III) Mod H
Scartamenti:
 DIN EN 558-1 Series 20 ~ ISO 5752 Series 20
 BS-5155 Series 4 ~ MSS-SP67
 API609 cat.A ~ NFE 29305-1
Test:
 EN 12266-1 Rate A ~ ISO 5208 Rate A
 DIN 3230 ~ API 598
Marcature:
 EN 19 ~ MSS SP-25



DNV-GL TYPE APPROVAL
BUREAU VERITAS TYPE APPROVAL
GOST
ERC
DVGW
OVGW
TÜV TA-Luft
SVGW SSGE
CE 0407 (PED)
SIL safety integrity level
Ex II 2 GD c TX
Epoxyc EPOXY COATED
 RAL 5009 standard
 RAL 1018 per gas

Tutte le valvole sono provviste di targhetta metallica secondo la normativa PED.

CORPO			BVPD	BVKI / BLKI	BFKI
materiale	norma di riferimento	rivestimento standard	DN	DN	DN
Ghisa sferoidale	EN-GJS 400-15 (GS400)	Epossidico RAL 5009	80-600	40-800	80-600
Acciaio al carbonio	ASTM A216-WCB	Epossidico RAL 9005	80-600	40-800	-
Acciaio inox	ASTM A351 CF8M (A316)	-	80-600	40-800	-
Bronzo-Alluminio	ASTM B148-C958.00	-	80-600	40-800	-
Alluminio (P _{max} 10Bar)	EN AB 46400	Epossidico RAL 7024	80-600	40-500	-

DISCO			BVPD	BVKI / BLKI	BFKI
materiale	norma di riferimento	rivestimento standard	DN	DN	DN
Acciaio	ASTM A105	Zincatura	50-100	50-100	80-100
Ghisa sferoidale	EN-GJS 400-15 (GS400)	Zincatura	125-600	125-800	125-600
Acciaio inox	ASTM A351 CF8M (A316)	-	80-600	40-800	80-600
Bronzo-Alluminio	ASTM B148-C958.00	-	80-600	40-800	80-600
Hastelloy®	ASTM A494 CX2MW	-	80-600	40-800	80-600
Monel®	ASTM A494 M35-1	-	80-600	40-800	80-600

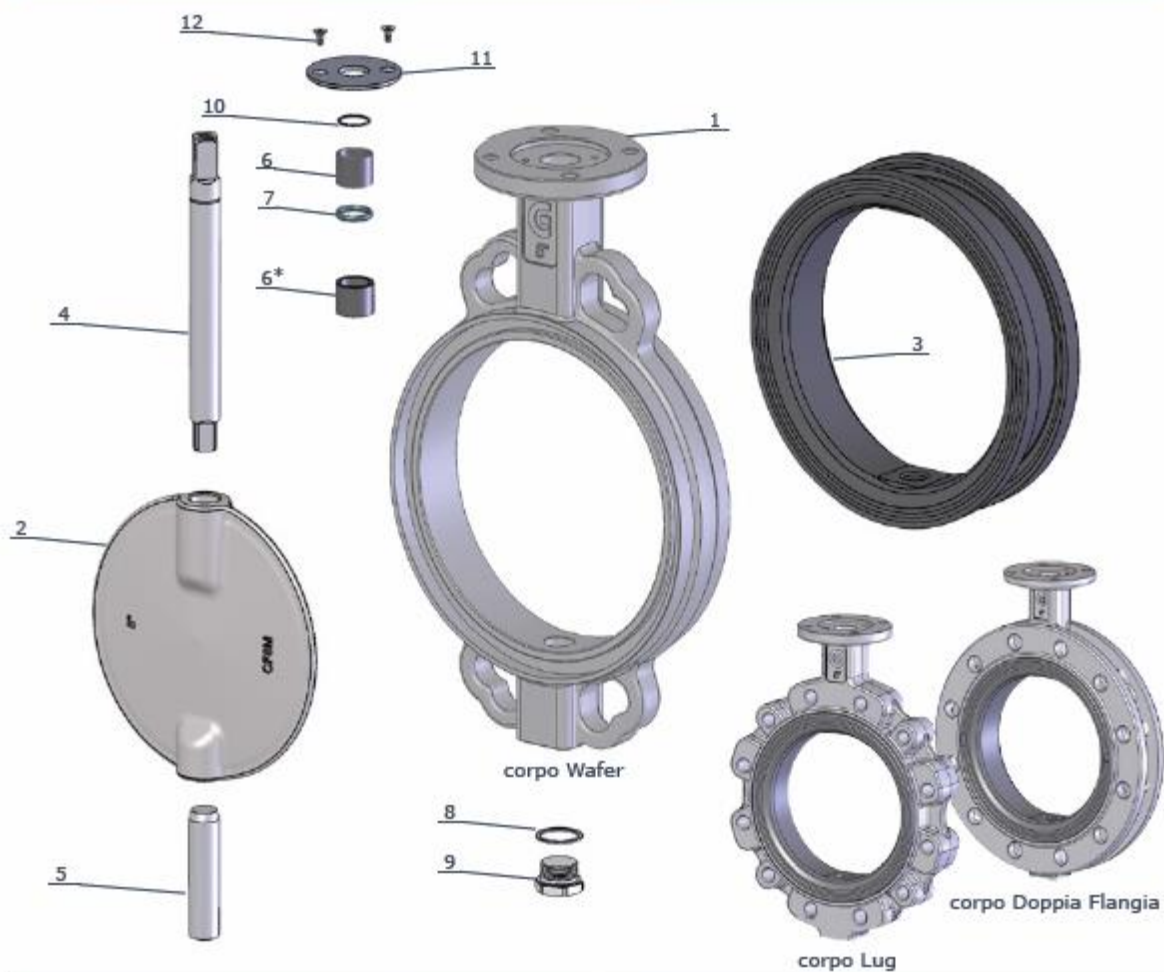
GUARNIZIONE CORPO		DN 40/500 sostituibile - DN 600/800 vulcanizzata non sostituibile		
sigla	denominazione	sigla comm.	temp. esercizio	applicazioni
NBR	gomma nitrilica	BUNA®	-25°C / +100°C	oli, idrocarburi, gas, aria, acqua
EPDM	copolimero EPDM	-	-35°C / +130°C	acqua, acqua mare, vapore, acidi diluiti
EPDM HT	copolimero EPDM HT	-	-30°C / +135°C	acqua, acqua mare, vapore, acidi diluiti
CO	carboidrato	-	-25°C / +100°C	polveri, aria
FKM	gomma fluorocarbonica	VITON®	-20°C / +200°C	oli, acidi, idrocarburi
CR	polidioroprene	NEOPRENE®	-20°C / +100°C	alcali, basi, acqua
NR	gomma naturale	-	-40°C / +80°C	glicoli, fluidi abrasivi
MVQ	gomma siliconica	SILOPREN®	-60°C / +190°C	acqua, alimentari, bevande
CSM	polietilene cloro solfonato	HYPALON®	-20°C / +125°C	acidi, basi minerali, alcoli, idrocarburi

Materiali disponibili su richiesta: LCB, Hastelloy, Monel, Uranus, Alloy, DUPLEX, Acciai speciali, Bronzi speciali.
 Rivestimenti disponibili su richiesta: RILSAN®, Halar®, Chenisil®

BVPD - Wafer BLPD - Lug
DN 80 - 300 • 3" - 12"
PN 6-10-16 • ANSI 150

BVKI - Wafer BLKI - Lug
DN 40 - 300 • 1"½ - 12"
PN 10-16 • ANSI 150

BFKI - doppia flangia
DN 80 - 300 • 3" - 12"
PN 6-10-16 • ANSI 150

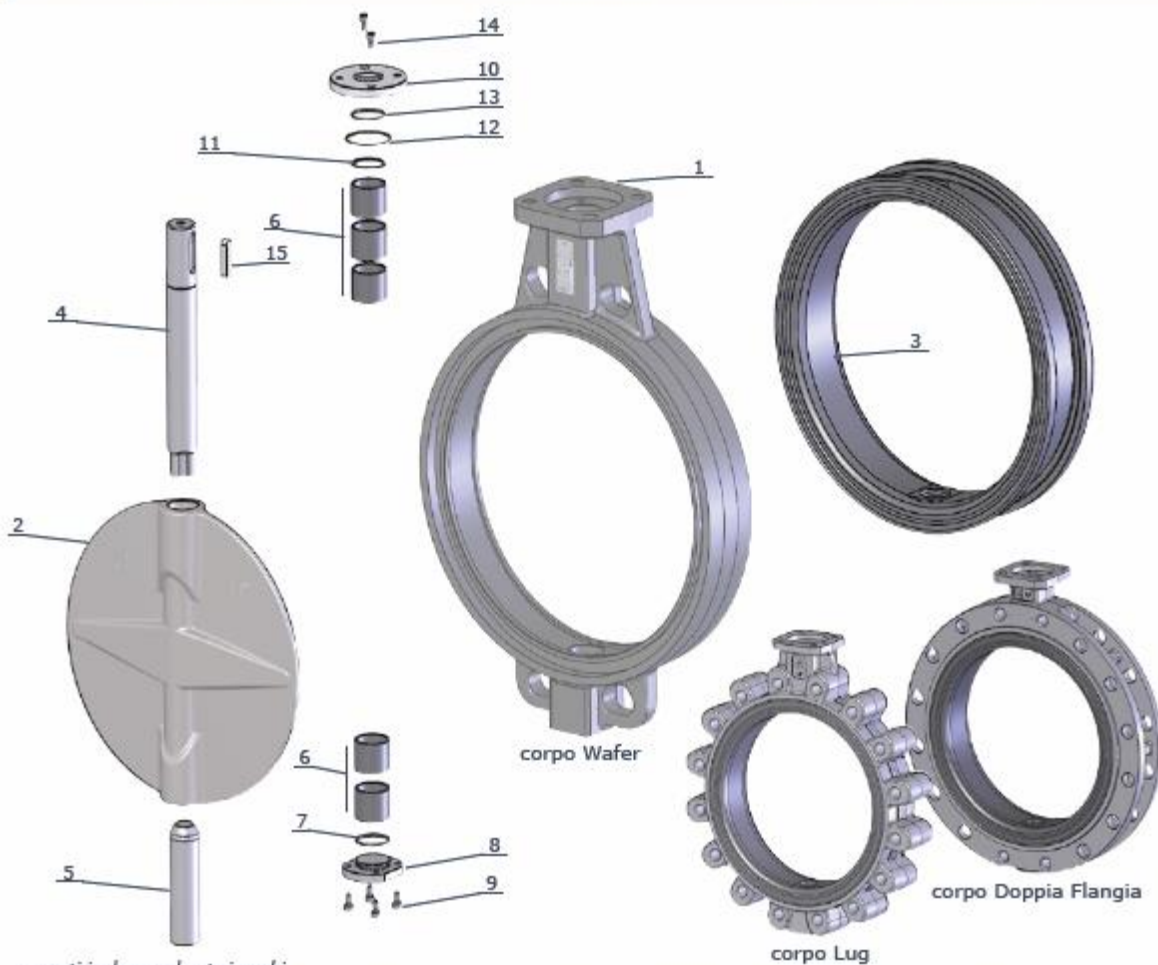


pos.	q.tà	particolare	materiale	pos.	q.tà	particolare	materiale
1	1	corpo (BFKI solo GS400)	<ul style="list-style-type: none"> ghisa sferoidale GS400 A216 - WCB A352 - LCB A351 - CF8M (AISI 316) bronzo-alluminio alluminio (solo WAFER) 	4	1	perno superiore	<ul style="list-style-type: none"> AISI 430 AISI 316 (a richiesta)
2	1	disco	<ul style="list-style-type: none"> ghisa sferoidale GS400 A351 - CF8M (AISI 316) bronzo-alluminio Hastelloy® Monel® 	5	1	perno inferiore	<ul style="list-style-type: none"> AISI 430 AISI 316 (a richiesta)
◇3	1	guarnizione corpo (sostituibile)	<ul style="list-style-type: none"> NBR (BUNA®) EPDM EPDM HT FKM (VITON®) carbossidato policloroprene (NEOPRENE®) gomma naturale gomma siliconica 	◇6	1	boccola	bronzo
				◇6*	1	boccola	bronzo
				◇7	1	guarnizione perno	<ul style="list-style-type: none"> NBR (BUNA®) FKM (VITON®) a richiesta
				8	1	guarnizione tappo	alluminio
				9	1	tappo filettato	acciaio zincato
				10	1	anello di fermo	acciaio
				11	1	flangia superiore	<ul style="list-style-type: none"> IXEF (DN 40-150) alluminio (DN 200-300)
				12	2	viti	acciaio zincato

◇ parti incluse nel set ricambi

* solo x DN300

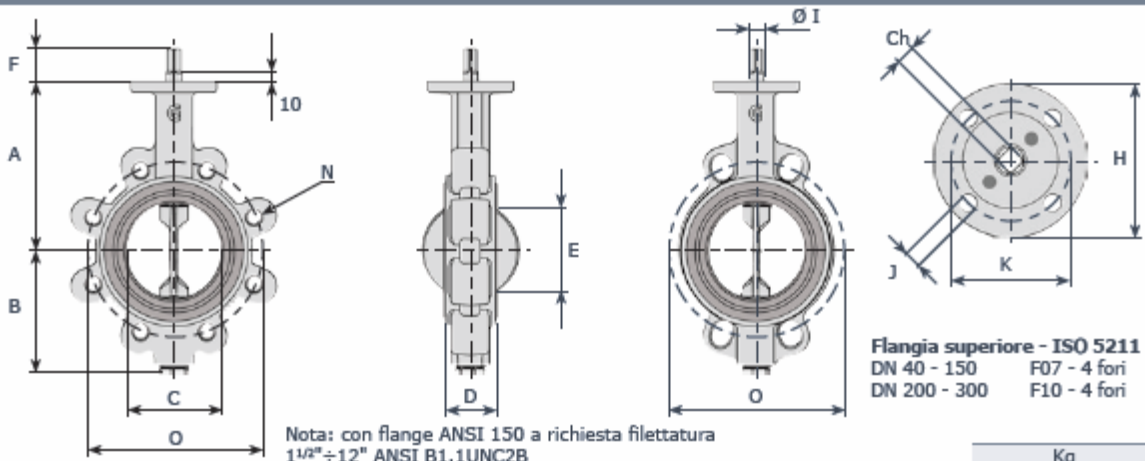
BVPD - Wafer	BLPD - Lug	BVKI - Wafer	BLKI - Lug	BFKI - doppia flangia
DN 350 - 500 • 14" - 20"	DN 350 - 500 • 14" - 20"	DN 350 - 500 • 14" - 20"	DN 350 - 500 • 14" - 20"	DN 350 - 500 • 14" - 20"
PN 6-10-16 • ANSI 150	PN 6-10-16 • ANSI 150	PN 10-16 • ANSI 150	PN 10-16 • ANSI 150	PN 6-10-16 • ANSI 150



◊ parti incluse nel set ricambi

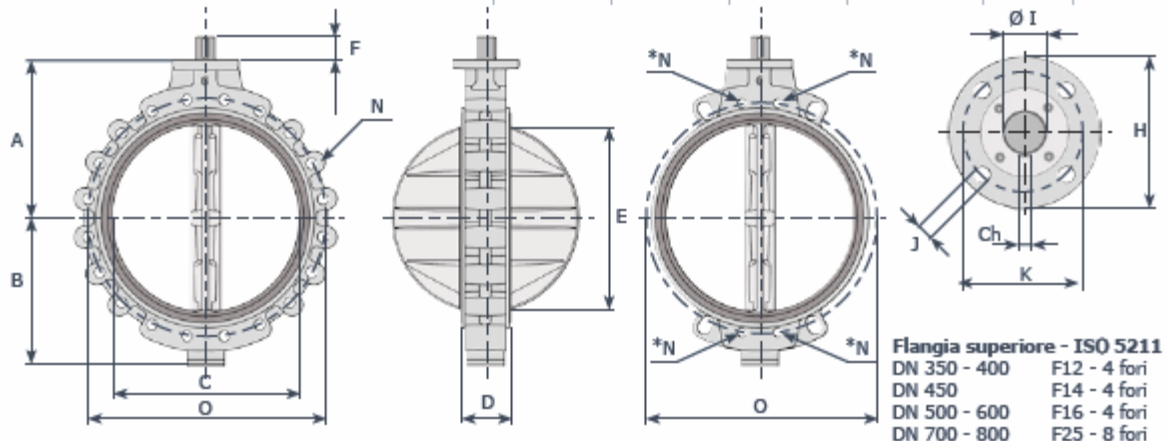
pos.	q.tà	particolare	materiale	pos.	q.tà	particolare	materiale
1	1	corpo (BFKI solo GS400)	<ul style="list-style-type: none"> ghisa sferoidale GS400 A216 - WCB A352 - LCB A351 - CF8M (AISI 316) bronzo-alluminio alluminio (solo WAFER) 	5	1	perno inferiore	<ul style="list-style-type: none"> AISI 430 AISI 316 (a richiesta)
2	1	disco	<ul style="list-style-type: none"> ghisa sferoidale GS400 A351 - CF8M (AISI 316) bronzo-alluminio Hastelloy® Monel® 	◊6	5	boccola	<ul style="list-style-type: none"> bronzo Acciaio+PTFE (DN 450-500)
◊3	1	guarnizione corpo (sostituibile)	<ul style="list-style-type: none"> NBR (BUNA®) EPDM EPDM HT FKM (VITON®) carbossidato policloroprene (NEOPRENE®) gomma naturale gomma siliconica 	◊7	1	guarnizione flangia inferiore	<ul style="list-style-type: none"> NBR (BUNA®)
4	1	perno superiore	<ul style="list-style-type: none"> AISI 430 AISI 316 (a richiesta) 	8	1	flangetta inferiore	<ul style="list-style-type: none"> acciaio zincato
				9	4	vite	<ul style="list-style-type: none"> acciaio zincato
				10	1	flangetta superiore	<ul style="list-style-type: none"> acciaio zincato
				11	1	anello di fermo	<ul style="list-style-type: none"> acciaio
				◊12	1	O.Ring	<ul style="list-style-type: none"> NBR (BUNA®)
				◊13	1	O.Ring	<ul style="list-style-type: none"> NBR (BUNA®)
				14	2	vite	<ul style="list-style-type: none"> acciaio zincato
				15	1	linguetta	<ul style="list-style-type: none"> Acciaio C40

BVPD - Wafer BLPD - Lug | BVKI - Wafer BLKI - Lug | BVKA - Wafer BLKA - Lug



Nota: con flange ANSI 150 a richiesta filettatura
1 1/2"÷12" ANSI B1.1UNC2B

DN	A	B	C	D	E	F	Ø I	Ch	H	K	J	PN 6		PN 10		PN 16		ANSI 150		Kg							
												N	n. O	N	n. O	N	n. O	N	n. O	W	L	W	L				
40	130	75	49	33	36	34	14	11	90	70	9	-	-	M16	4	110	M16	4	110	M14	4	98.4	2.2	3	2.2	3	
50	138	81	55	43	35	34	14	11	90	70	9	M12	4	110	M16	4	125	M16	4	120.6	2.8	3.7	2.8	3.7			
65	144	98	68	46	50	34	14	11	90	70	9	M12	4	130	M16	8	145	M16	8	145	M16	4	139.7	3.7	5.3	3.7	5.3
80	158	110	81	46	67	34	14	11	90	70	9	M16	4	150	M16	8	160	M16	8	160	M16	4	152.4	4	6.1	4	6.1
100	173	128	101	52	87	34	16	11	90	70	9	M16	4	170	M16	8	180	M16	8	180	M16	8	190.5	6	8.1	6	8.1
125	186	140	126	56	113	34	18	14	90	70	9	M16	8	200	M16	8	210	M16	8	210	M20	8	215.9	7.2	9.7	7.2	9.7
150	202	155	150	56	140	34	18	14	90	70	9	M16	8	225	M20	8	240	M20	8	240	M20	8	241.3	9.1	11.5	9.5	11.8
200	240	190	200	60	191	38	22	17	125	102	11	M16	8	280	M20	8	295	M20	12	295	M20	8	298.4	14	27	16	29
250	270	220	250	68	241	38	30	22	125	102	11	M16	12	335	M20	12	350	M24	12	355	M22	12	361.9	22	34	26	38
300	300	247	298	78	289	38	30	22	125	102	11	M20	12	395	M20	12	400	M24	12	410	M22	12	431.8	32	49	36	53



Nota: con flange ANSI 150 a richiesta filettatura
14" ANSI B1.1UNC2B
16"÷32" ANSI B1.1-8 UNC2B

*Nota: Sui corpi Wafer DN 600 - 700 - 800 sono
previsti nr. 4 fori filettati N come la corrispondente
versione Lug

DN	A	B	C	D	E	F	Ø I	Ch	H	K	J	PN 6		PN 10		PN 16		ANSI 150		Kg							
												N	n. O	N	n. O	N	n. O	N	n. O	W	L	W	L				
350	330	280	341	78	332	60	35	10	150	125	14	M20	12	445	M20	16	460	M24	12	476.2	42	62	55	75			
400	355	305	390	102	376	60	40	12	150	125	14	M20	16	495	M24	16	515	M27	16	539.7	76	90	94	104			
450	400	343	444	114	430	60	45	12	175	140	18	M20	16	550	M24	20	565	M27	20	585	M27	16	577.8	110	170	135	195
500	422	366	495	127	479	60	45	12	210	165	22	M20	20	600	M24	20	620	M30	20	650	M27	20	635.0	140	180	165	205
600	495	460	595	154	575	75	60	18	210	165	22	M24	20	705	M27	20	725	M33	20	770	M33	20	749.3	220	290	220	290
700	550	506	690	165	670	90	70	20	300	254	18	M24	24	810	M27	24	840	M33	24	840	M33	28	863.6	300	415	300	415
800	640	590	780	190	757	100	80	22	300	254	18	M27	24	920	M30	24	950	M36	24	950	M39	28	977.9	444	570	465	570

BVPD - Wafer BLPD - Lug | **BVKI - Wafer BLKI - Lug** | **BFKI - double flange**
 DN 80 - 600 • 3" - 24" | DN 40 - 800 • 1 1/2" - 32" | DN 80 - 600 • 3" - 24"

Max working pressure:
 BVPD/BLPD DN 80÷600: **6 Bar**
 Flange: **PN 6-10-16 • A150**
 BVKI/BLKI DN 40÷500: **16 Bar**
 Flange: **PN 10-16 • A150**
 BVKI/BLKI DN 600÷800: **10 Bar**
 Flange: **PN 6-10-16 • A150**
 BFKI DN 80÷600: **16 Bar**
 Flange: **PN 6-10-16 • A150**
KI series to be used also with vacuum

Design:
 EN 593 ~ EN 736 ~ EN 12516 ~ EN 1092
 EN 12266-1 Rate A ~ API 609
 PED 97/23/EC(cat III) Mod H

Face to face:
 DIN EN 558-1 Series 20 ~ ISO 5752 Series 20
 BS-5155 Series 4 ~ MSS-SP67
 API609 cat.A ~ NFE 29305-1

Testing:
 EN 12266-1 Rate A ~ ISO 5208 Rate A
 DIN 3230 ~ API 598

Tag:
 EN 19 ~ MSS SP-25



TYPE APPROVAL
 DIN VDI 5593
 BUREAU VERITAS TYPE APPROVAL
 GOST
 EAC
 DVGW
 ÖVGW
 TÜV TA-Luft
 SVGW SSGE
 CE 0407 (PED)
 SIL safety integrity level
 Ex II 2 GD c TX

epoxy EPOXY COATED
 RAL 1018 for gas
 RAL 5009 standard

All valves are supplied with a metallic label in compliance with PED directive.

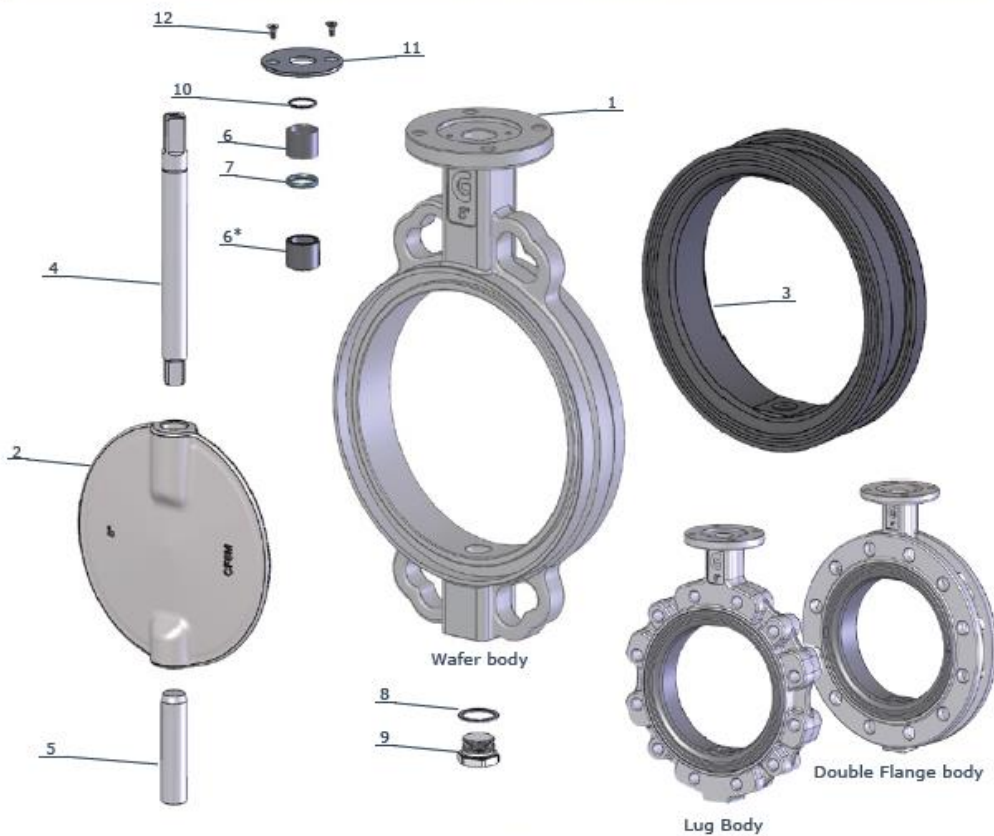
BODY			BVPD	BVKI / BLKI	BFKI
material	references	standard coating	DN	DN	DN
Ductile iron	EN-GJS 400-15 (GS400)	Epoxy RAL 5009	80-600	40-800	80-600
Carbon steel	ASTM A216-WCB	Epoxy RAL 9005	80-600	40-800	-
Stainless steel	ASTM A351 CF8M (A316)	-	80-600	40-800	-
Aluminium-bronze	ASTM B148-C958.00	-	80-600	40-800	-
Aluminium (P _{max} 10Bar)	EN AB 46400	Epoxy RAL 7024	80-600	40-500	-

DISC			BVPD	BVKI / BLKI	BFKI
material	references	standard coating	DN	DN	DN
Steel	ASTM A105	Zinc	50-100	50-100	80-100
Ductile iron	EN-GJS 400-15 (GS400)	Zinc	125-600	125-800	125-600
Stainless steel	ASTM A351 CF8M (A316)	-	80-600	40-800	80-600
Aluminium-bronze	ASTM B148-C958.00	-	80-600	40-800	80-600
Hastelloy®	ASTM A494 CX2MW	-	80-600	40-800	80-600
Monel®	ASTM A494 M35-1	-	80-600	40-800	80-600

BODY RUBBER SEAT		DN 40/500 replaceable - DN 600/800 vulcanized not replaceable			
ref.	designation	trade name	working temp.	applications	
NBR	nitrile rubber	BUNA®	-25°C / +100°C	oils, hydrocarbons, gas, air, water	
EPDM	copolymer EPDM	-	-35°C / +130°C	water, sea water, steam, diluted acids	
EPDM HT	copolimery EPDM HT	-	-30°C / +135°C	water, sea water, steam, diluted acids	
CO	carboxide	-	-25°C / +100°C	dust, air	
FKM	fluoroelastomer	VITON®	-20°C / +200°C	oils, acids, hydrocarbons	
CR	polychloroprene	NEOPRENE®	-20°C / +100°C	alkali, bases, water	
NR	natural rubber	-	-40°C / + 80°C	glycols, abrasive media	
MVQ	silicon rubber	SILOPREN®	-60°C / +190°C	water, food, drinks	
CSM	chlorosulfonated polyethylene	HYPALON®	-20°C / +125°C	acids, mineral bases, alcohols, hydrocarbons	

On request can be supplied other materials as: LCB, Hastelloy, Monel, Uranus, Alloy, DUPLEX, Special steels, Special bronzes.
 Coating on request: RILSAN®, Halar®, Chenisil®

BVPD - Wafer	BLPD - Lug	BVKI - Wafer	BLKI - Lug	BFKI - double flange
DN 80 - 300 • 3" - 12"	DN 40 - 300 • 1 1/2" - 12"	DN 80 - 300 • 3" - 12"	DN 40 - 300 • 1 1/2" - 12"	DN 80 - 300 • 3" - 12"
PN 6-10-16 • ANSI 150	PN 10-16 • ANSI 150	PN 6-10-16 • ANSI 150	PN 10-16 • ANSI 150	PN 6-10-16 • ANSI 150

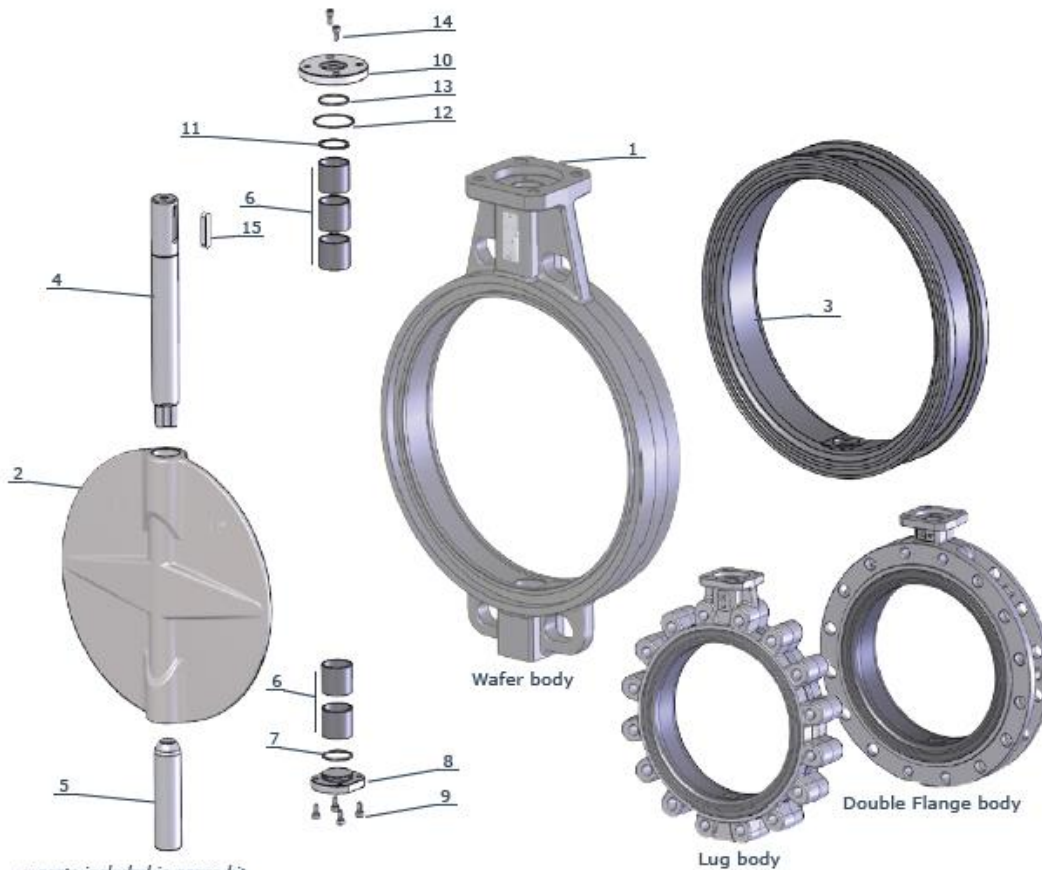


item	q.ty	part	material	item	q.ty	part	material
1	1	body (BFKI only GS400)	<ul style="list-style-type: none"> ductile iron GS400 A216 - WCB A352 - LCB A351 - CF8M (AISI 316) aluminium-bronze aluminium (only WAFER) 	4	1	upper shaft	<ul style="list-style-type: none"> AISI 430 AISI 316 (on request)
2	1	disc	<ul style="list-style-type: none"> ductile iron GS400 A351 - CF8M (AISI 316) aluminium-bronze Hastelloy® Monel® 	5	1	lower shaft	<ul style="list-style-type: none"> AISI 430 AISI 316 (on request)
◇3	1	body seat (replaceable)	<ul style="list-style-type: none"> NBR (BUNA®) EPDM EPDM HT FKM (VITON®) carboxide polychloroprene (NEOPRENE®) natural rubber silicon 	◇6	1	bush	<ul style="list-style-type: none"> bronze
				◇6*	1	bush	<ul style="list-style-type: none"> bronze
				◇7	1	shaft packing	<ul style="list-style-type: none"> NBR (BUNA®) FKM (VITON®) on request
				8	1	plug packing	<ul style="list-style-type: none"> aluminium
				9	1	threaded plug	<ul style="list-style-type: none"> zinc plated steel
				10	1	stop ring	<ul style="list-style-type: none"> steel
				11	1	upper flange	<ul style="list-style-type: none"> IXEF (DN 40-150) aluminium (DN 200-300)
				12	2	screw	<ul style="list-style-type: none"> zinc plated steel

◇ parts included in spare kit

* only for DN300

BVPD - Wafer	BLPD - Lug	BVKI - Wafer	BLKI - Lug	BFKI - double flange
DN 350 - 500 • 14" - 20"	DN 350 - 500 • 14" - 20"	DN 350 - 500 • 14" - 20"	DN 350 - 500 • 14" - 20"	DN 350 - 500 • 14" - 20"
PN 6-10-16 • ANSI 150	PN 6-10-16 • ANSI 150	PN 10-16 • ANSI 150	PN 10-16 • ANSI 150	PN 6-10-16 • ANSI 150



◊ parts included in spare kit

item	q.ty	part	material	item	q.ty	part	material
1	1	body (BFKI only GS400)	<ul style="list-style-type: none"> ductile iron GS400 A216-WCB A352-LCB A351-CF8M (AISI 316) aluminium-bronze aluminium (only WAFER) 	5	1	lower shaft	<ul style="list-style-type: none"> AISI 430 AISI 316 (on request)
2	1	disc	<ul style="list-style-type: none"> ductile iron GS400 A351-CF8M (AISI 316) aluminium-bronze Hastelloy® Monel® 	◊6	5	bush	<ul style="list-style-type: none"> bronze steel+PTFE (DN 450-500)
◊3	1	body seat (replaceable)	<ul style="list-style-type: none"> ductile iron GS400 A351-CF8M (AISI 316) aluminium-bronze Hastelloy® Monel® NBR (BUNA®) EPDM EPDM HT FKM (VITON®) carboxide polychloroprene (NEOPRENE®) natural rubber silicon 	◊7	1	packing lower flange	<ul style="list-style-type: none"> NBR (BUNA®)
4	1	upper shaft	<ul style="list-style-type: none"> AISI 430 AISI 316 (on request) 	8	1	lower flange	<ul style="list-style-type: none"> zinc plated steel
				9	4	screw	<ul style="list-style-type: none"> zinc plated steel
				10	1	upper flange	<ul style="list-style-type: none"> zinc plated steel
				11	1	stop ring	<ul style="list-style-type: none"> steel
				◊12	1	O.Ring	<ul style="list-style-type: none"> NBR (BUNA®)
				◊13	1	O.Ring	<ul style="list-style-type: none"> NBR (BUNA®)
				14	2	screw	<ul style="list-style-type: none"> zinc plated steel
				15	1	key	<ul style="list-style-type: none"> steel C40



PEGORARO®

*We energize
people*

Per informazioni/For information

PEGORARO GAS TECHNOLOGIES Srl

Via Meucci n. 77 – 36057 Arcugnano (VI) Italy

Phone +39 0444 289382

www.pegorarogas.com

info@pegorarogas.com

Export dept

export@pegorarogas.com